

Operating Instructions

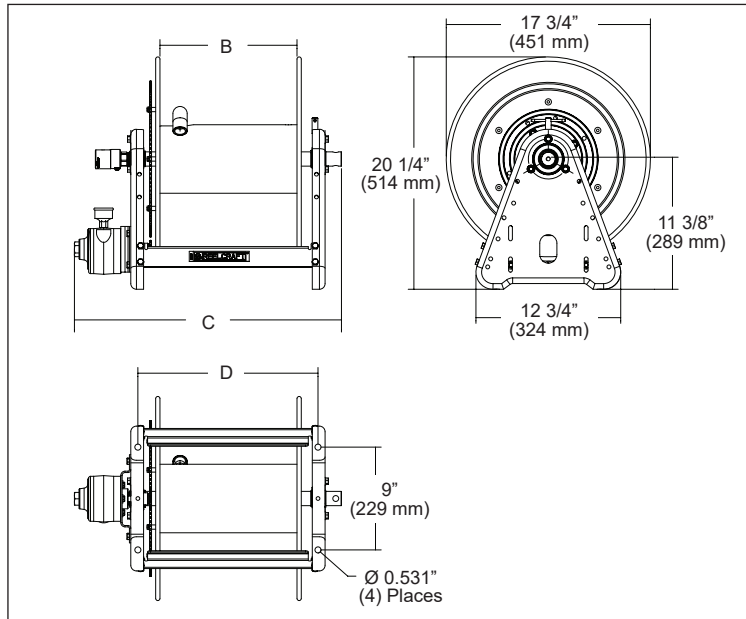
Series 30000 Air Motor Driven Reels

[AA32106 L4A](#) [AA33112 M4A](#) AA33122 M4A

[AA33106 M4A](#) [AA33118 M4A](#)



Dimensional Data



Part #	B	C	D
32106 / 33106	6"	17 1/2"	9 3/4"
33112	12"	23 1/2"	15 3/4"
33118	18"	29 5/8"	21 3/4"
33122	22"	33 1/2"	25 3/4"

Safety Precautions

Personal injury and/or equipment damage may result if proper safety precautions are not observed.

- Ensure that the reel has been properly installed before connecting supply line (see installation instructions).
- Bleed fluid/gas pressure from system before servicing reel.
- Before connecting reel to supply line ensure that supply line pressure does not exceed maximum rated working pressure of reel.
- Do not play pranks on other personnel. Even low pressure is very dangerous and can cause irreparable damage or death.
- Do not wear loose fitting clothing while operating reel.
- Be aware of other personnel in work area.
- Be aware of other machinery in work area.
- If a leak occurs in the hose or reel, remove supply line pressure immediately.
- Treat and respect a hose reel as any other piece of machinery, observing all common safety practices.

Form# 534-89C Rev: 1/2026

INSTALLATION INSTRUCTIONS

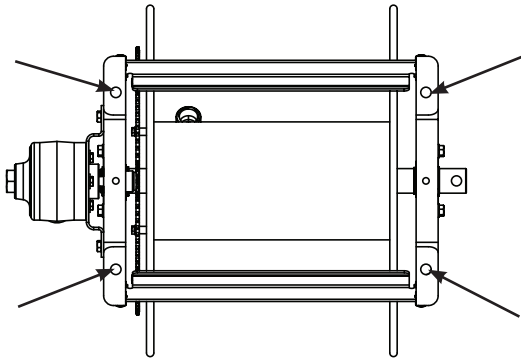
Inspection

Unpack and inspect the reel for damage. Turn the reel by hand to check for smooth operation. Check for completeness.

Mounting of all hose reels

NOTE: Ensure that mounting surface is flat to prevent binding on reel after it is mounted.

1. Two 1/2" diameter mounting holes are located at the base of each side support panel (2 each). Mount reel using four (customer supplied) bolts; tightening them securely to ensure a solid, rigid attachment.



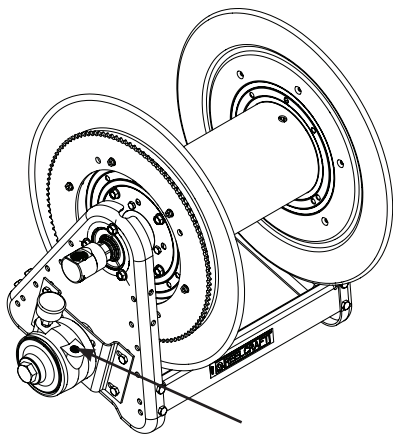
2. Perform the following steps only after all other installation steps, pertaining to your particular reel, are accomplished.

NOTE: A flexible hose connection must be used to compensate for any offset between the supply line and the reel swivel.

3. Apply thread compound to all threads.
4. Thread male connector of supply line into swivel. Tighten securely.

CAUTION: : Do not exceed 100 PSI motor inlet pressure. Use an FRL (Filter, Regulator, Lubricator) or control valve in line to adjust speed of motor

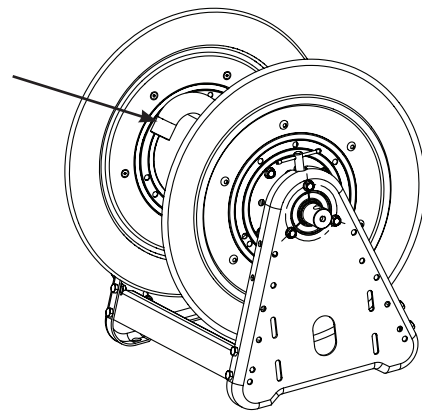
5. Connect air line to motor in accordance with diagram.



Connecting the hose

CAUTION: Do not connect the hose to the fluid path until after hose reel has been installed. Fully extend and pressurize hose before winding on to reel. Momentarily open control valve, when initially pressurizing, to purge hose of gases. When fluid appears at control valve, close valve. This prevents flattening of the hose and excessive pressure on the drum when fluid supply is reinitialized at a later time.

1. Apply thread compound to all threads.
2. Hand thread male hose connector into fluid path.
3. Using a wrench, firmly hold onto fluid path while tightening hose connector.



OPERATING INSTRUCTIONS

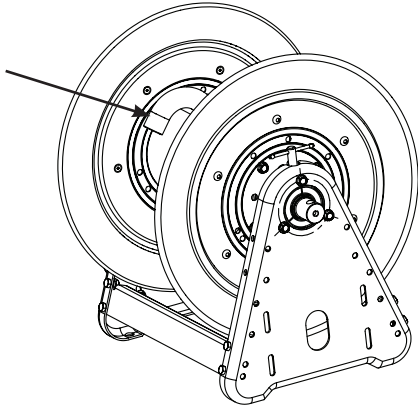
WARNING-PREVENT STATIC

SPARKING: When working around flammable liquids such as solvents, paints, chemicals or petroleum products, ensure that the hose reel, hose and the equipment being serviced are properly grounded. Use grounded hose(s) (static wire). Use an ohmmeter to check continuity of the ground circuit. Fire and/or explosion can result if proper grounding is not achieved. Be careful of chain/sprocket drive system. Keep hands clear. Do not wear loose fitting clothing. Pull hose from the reel by grasping the hose itself, not the control handle or swivel.

SERVICE INSTRUCTIONS

Replacing the hose

1. Using a wrench, firmly hold onto the fluid path while removing hose connector.
2. Follow procedures for "Connecting the hose" (refer to installation instructions).



Replacing the swivel

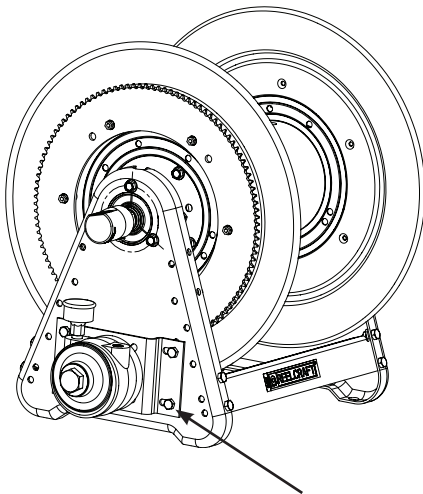
CAUTION: Remove supply line pressure before performing the following procedure.

1. Remove supply line from swivel.
2. Remove swivel assembly from fluid path.
3. Install swivel assembly to inlet shaft by reversing steps 1 and 2. Apply thread compound to all threads.

Replacing the motor

CAUTION: Before replacing the motor, remove all air pressure from motor.

1. Disconnect air from motor.
2. Remove (4) bolts securing motor mounting bracket to reel. Remove bracket.
3. Remove defective motor from bracket.
4. Install new motor to bracket and remount to reel.



Replacing the chain

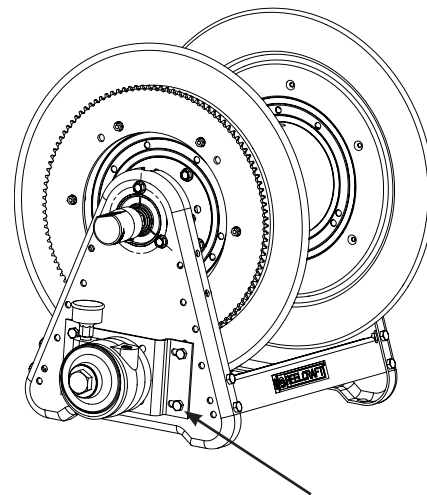
CAUTION: Before replacing the chain, remove all air pressure from motor.

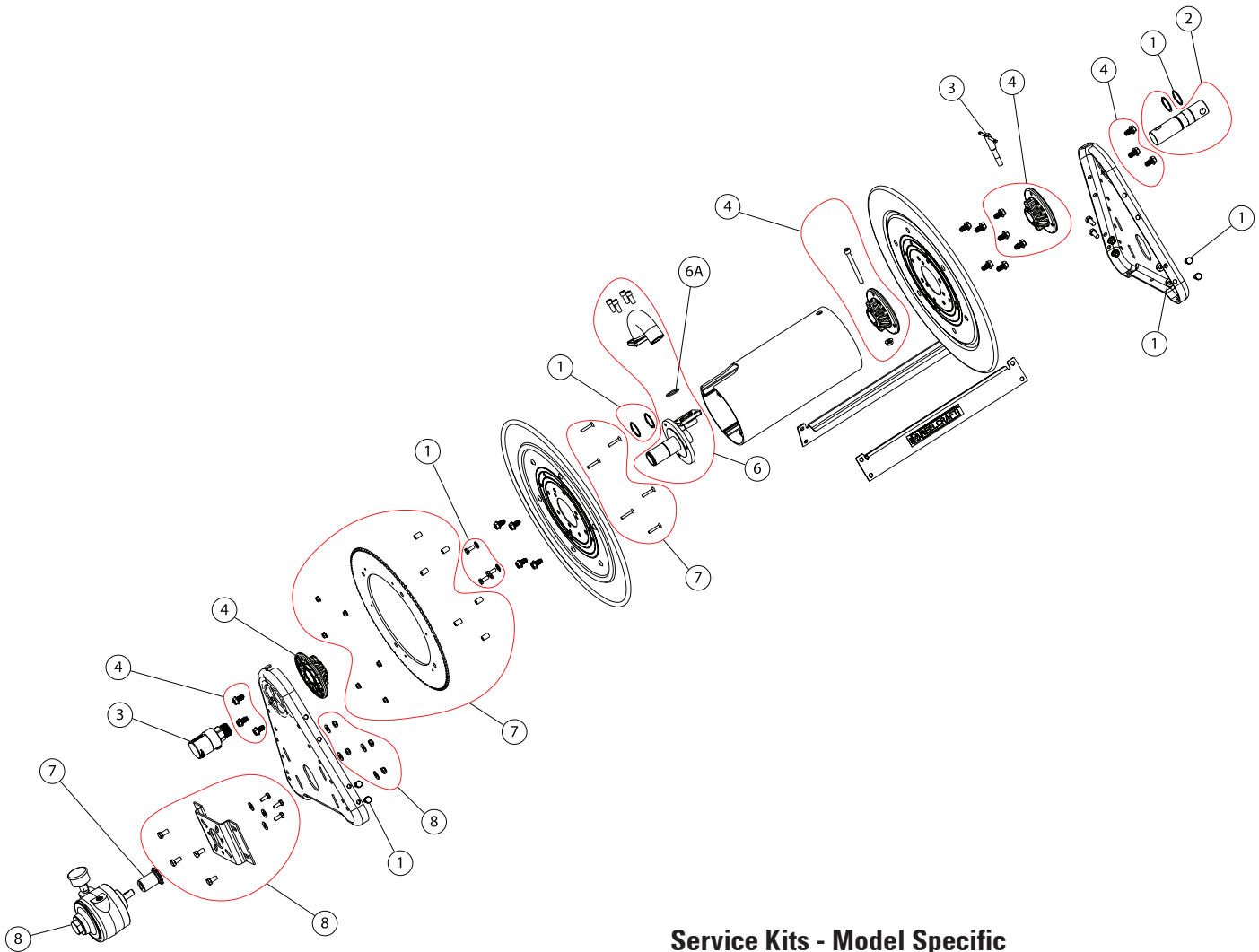
1. Loosen (do not remove) bolts securing motor mounting bracket in place.
2. Remove chain master-link.
3. Install new chain by reversing steps 1 and 2 above.

Adjusting the chain tension

CAUTION: Before adjusting the chain tension, remove all air pressure from motor. Over-tensioned (tightening) of chain results in reduced motor life. Adjust to allow between 1/4 and 1/2 inch play in chain.

1. Loosen (4) bolts (do not remove) securing motor mounting bracket to reel.
2. Move motor mounting bracket and motor until proper chain tension is obtained.
3. Tighten motor mounting bracket bolts.





Service Kits - Model Specific

ITEM	DESCRIPTION	QTY.	AA32106 L4A	AA33106 M4A	AA33112 M4A	AA33118 M4A	AA33122 M4A
5	SWIVEL	1	S600888-1	S602026-1	S602026-1	S602026-1	S602026-1
6	FLUID PATH	1	S600327-1	S600327-2	S600327-2	S600327-2	S600327-2

Service Kits - General

ITEM	DESCRIPTION	QTY.	PART #
1	HARDWARE KIT	1	S602948
	SCREW 5/16-18 x 5/8"	8	
	LOCK NUT 5/16-18	8	
	SCREW 1/4-20 x 5/8"	3	
	SPLIT LOCK WASHER 1/4"	3	
	SNAP RING 1-1/4"	3	
2	SHAFT & SNAP RING	1	S602242
3	T-HANDLE BRAKE	1	S280109
4	HUB KIT	1	S602950
	NYLON HUB	3	
	SOCKET HEAD SCREW 5/16-18 x 3"	1	
	SELF TAPPING SCREW 5/16-18 x 5/8"	9	
	WHIZ LOCK NUT 5/16-18	1	
	SET SCREW 3/8-16 x 1/2 SLOTTED FLAT	1	
6A	O-RING	1	SS211-120

ITEM	DESCRIPTION	QTY.	PART #
7	MOTOR GEARS AND CHAIN	1	S602952
	SPOOL GEAR	1	
	FLAT CAP SCREW 10-32 x 1 - 1/8	6	
	FLANGE NUT 10-32	6	
	GEAR SPACER	1	
	MOTOR GEAR	1	
	SET SCREW	2	
	CHAIN DRIVE	1	
8	AIR MOTOR AND BRACKET	1	S602953
	AIR MOTOR	1	
	MOTOR BRACKET	1	
	WASHER .312 ID X .734 OD X .062	7	
	NYLOC NUT 5/16 - 18	4	
	SCREW 1/4 - 20 X 5/8	3	
	SCREW 5/16 - 18 X 5/8	4	